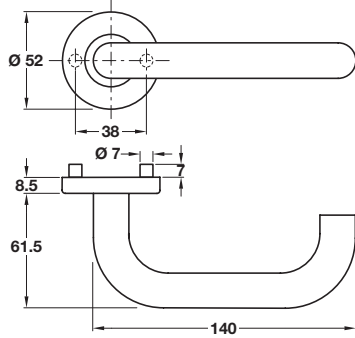


Startec CHASE shaped lever handles, grade 304 stainless steel



- > Pair of lever handles and roses
- > Grub screw fixing on 8 mm high-grade alloy steel spindle
- > Sprung, for use with heavy duty followers
- > To suit doors up to 35-44 mm thick
- > Fire tested in accordance with BS EN 1634-2
- > Grade 304 stainless steel
- > Order qty: 1 set

BS EN 1906

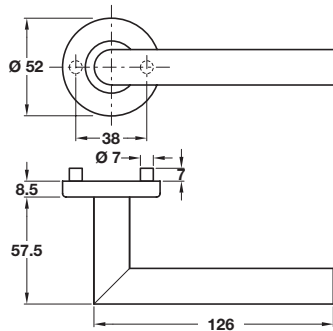
4 7 - 1 1 3 0 B



Finish
Satin stainless steel

Cat. No.
902.20.216

Startec TESSA shaped lever handles, grade 304 stainless steel



- > Pair of lever handles and roses
- > Grub screw fixing on 8 mm high-grade alloy steel spindle
- > Sprung, for use with heavy duty followers
- > To suit doors up to 35-44 mm thick
- > Fire tested in accordance with BS EN 1634-2
- > Grade 304 stainless steel
- > Order qty: 1 set

BS EN 1906

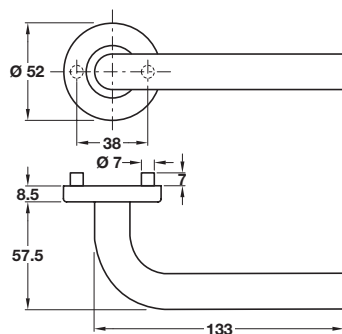
4 7 - 1 1 3 0 B



Finish
Satin stainless steel

Cat. No.
902.21.222

Startec BODA shaped lever handles, grade 304 stainless steel



- > Pair of lever handles and roses
- > Grub screw fixing on 8 mm high-grade alloy steel spindle
- > Sprung, for use with heavy duty followers
- > To suit doors up to 35-44 mm thick
- > Fire tested in accordance with BS EN 1634-2
- > Grade 304 stainless steel
- > Order qty: 1 pair

BS EN 1906

4 7 - 1 1 3 0 B



Finish
Satin stainless steel

Cat. No.
902.20.218



- > Co-ordinating escutcheons and WC/emergency release also available see pages **20-21**
- > Co-ordinating levers on back plates are shown on pages **82-84**