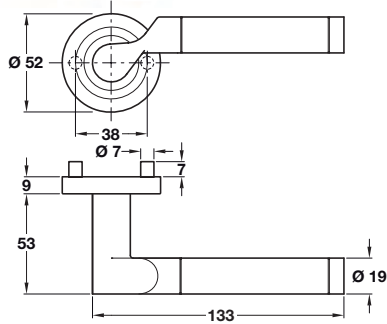


Startec SELMA lever handles, grade 304 stainless steel



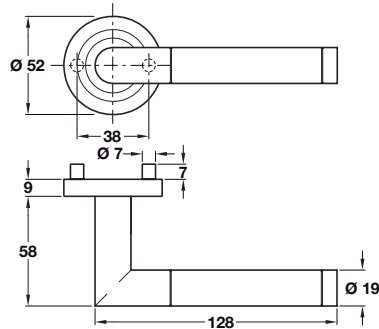
- > Pair of lever handles and roses
- > Grub screw fixing on 8 mm spindle
- > Sprung, for use with heavy duty followers
- > To suit doors 35-47 mm thick
- > Grade 304 stainless steel
- > Order qty: 1 pair



Finish
Polished/satin stainless steel

Cat. No.
902.21.561

Startec DUO lever handles, grade 304 stainless steel



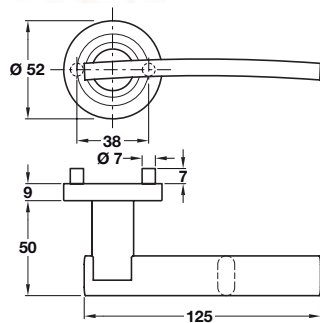
- > Pair of lever handles and roses
- > Grub screw fixing on 8 mm spindle
- > Sprung, for use with heavy duty followers
- > To suit doors 35-47 mm thick
- > Grade 304 stainless steel
- > Order qty: 1 pair



Finish
Polished/satin stainless steel

Cat. No.
902.21.571

Startec DUKE lever handles, grade 304 stainless steel



- > Pair of lever handles and roses
- > Grub screw fixing on 8 mm spindle
- > Sprung, for use with heavy duty followers
- > To suit doors 35-47 mm thick
- > Grade 304 stainless steel
- > Order qty: 1 pair



Finish
Polished/satin stainless steel

Cat. No.
902.21.581



Co-ordinating escutcheons and WC/emergency release also available see page 35