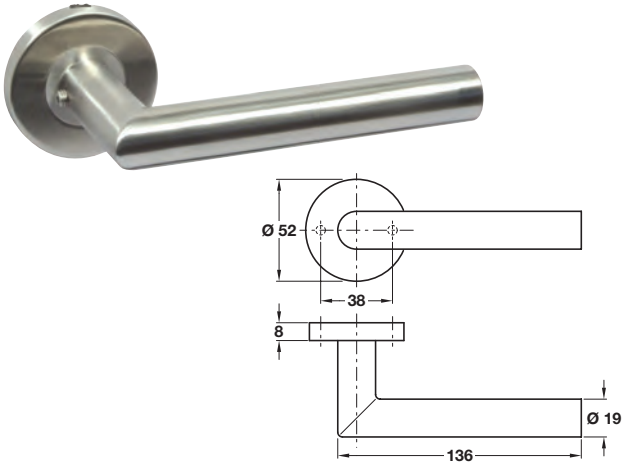


1

# GRADE 201 STAINLESS STEEL

A wide range of lever handles designs in Grade 201 stainless steel.

## KONGUR II Ø 19 mm straight lever handles, grade 201 stainless steel

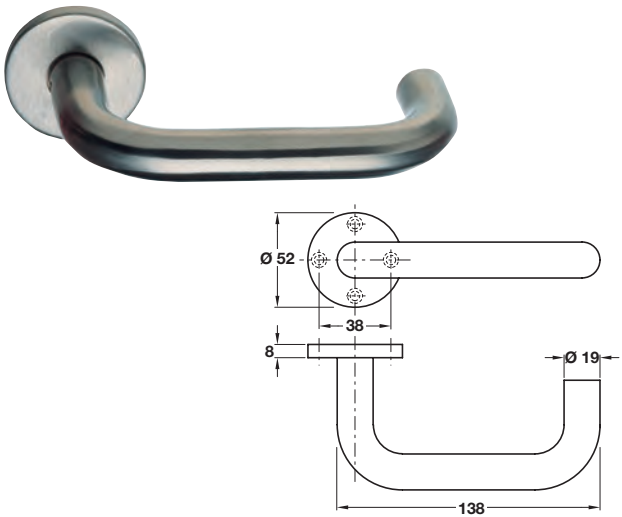


- > Pair of lever handles with concealed fixing roses
- > Grub screw fixing on 8 mm square spindle
- > Sprung, for use with standard duty followers
- > To suit doors up to 45 mm thick
- > Grade 201 stainless steel
- > Order qty: 1 pair



Finish	Cat. No.
Satin stainless steel	902.21.220

## TIANA II Ø 19 mm safety lever handles, grade 201 stainless steel

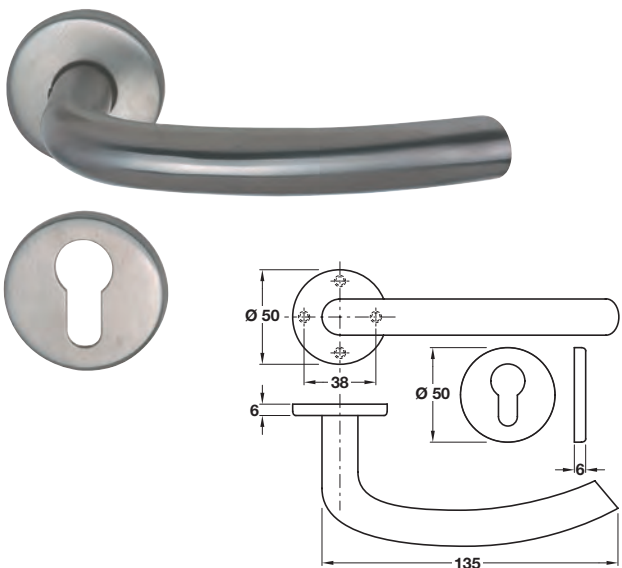


- > Pair of lever handles with concealed fixing roses
- > Grub screw fixing on 8 mm square spindle
- > Sprung, for use with standard duty followers
- > To suit doors up to 45 mm thick
- > Grade 201 stainless steel
- > Order qty: 1 pair



Finish	Cat. No.
Satin stainless steel	902.20.820

## HERAM I Ø 19 mm bow shaped lever handles, grade 201 stainless steel



- > Pair of lever handles with concealed fixing roses
- > Grub screw fixing on 8 mm square spindle
- > Unsprung, for use with heavy duty followers
- > To suit doors up to 45 mm thick
- > Grade 201 stainless steel
- > Order qty: 1 set



Finish	Cat. No.
Satin stainless steel	902.92.301

TOH AH 2016, © Häfele U.K. Ltd 2016. Dimensional data not binding. We reserve the right to alter specifications without notice.