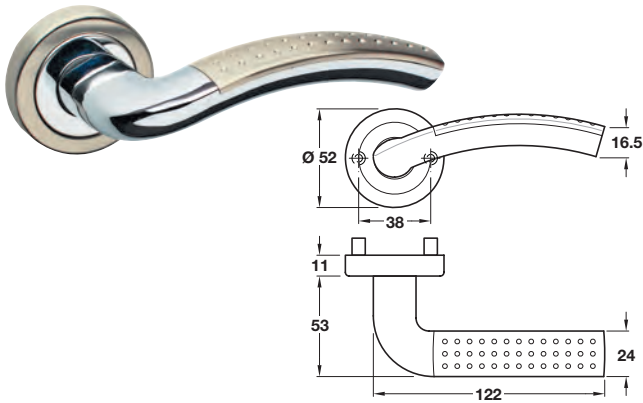


ZINC ALLOY

A wide range of lever handles designs in zinc alloy for quality and affordability.

Startec ANIKA lever handles, zinc alloy



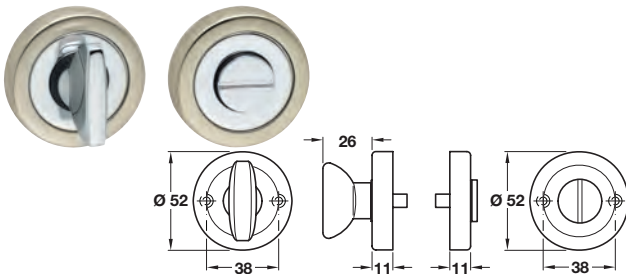
- > Pair of lever handles and roses
- > 8 mm spindle included
- > Sprung, for use with standard duty followers
- > To suit doors 35-44 mm thick
- > Zinc alloy
- > Order qty: 1 pair



Finish
Matt nickel/polished chrome

Cat. No.
900.20.982

Startec ANIKA WC/emergency release and inside turn, zinc alloy



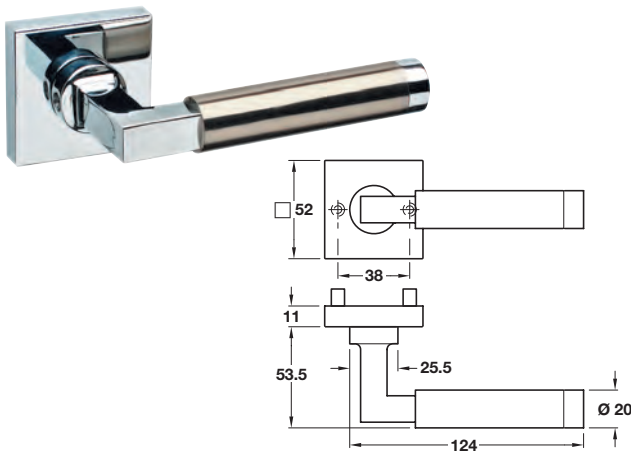
- > To suit doors 35-44 mm thick
- > 8 mm spindle included
- > Zinc alloy
- > Order qty: 1 set



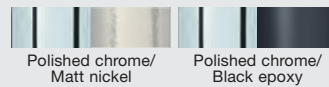
Finish
Matt nickel/Polished chrome

Cat. No.
901.53.386

Startec LUBI lever handles



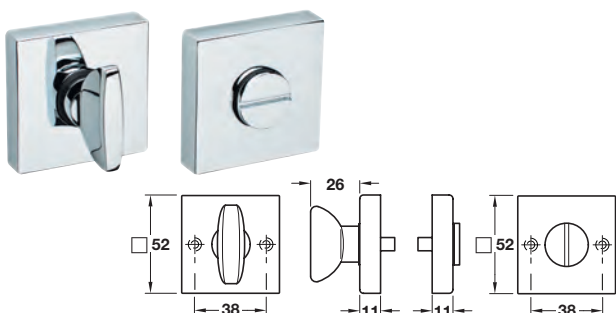
- > Pair of lever handles and roses
- > 8 mm spindle included
- > Sprung, for use with standard duty followers
- > To suit doors 36-44 mm thick
- > Zinc alloy
- > Order qty: 1 pair



Finish
Polished chrome/Matt nickel
Polished chrome/Black epoxy coated

Cat. No.
900.21.712
900.21.722

Startec LUBI WC/emergency release and inside turn



- > To suit doors 36-44 mm thick
- > 8 mm spindle included
- > Zinc alloy
- > Order qty: 1 set



Finish
Polished chrome

Cat. No.
901.53.422