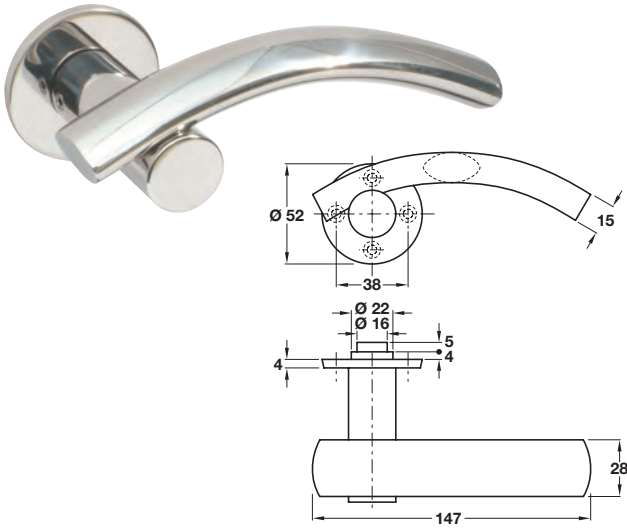


EIGER oval section lever handles, grade 316 stainless steel

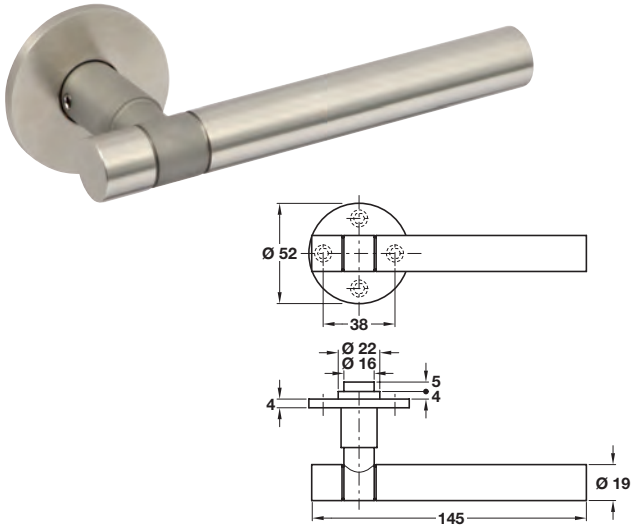


- > Pair of lever handles and roses
- > Grub screw fixing on 8 mm spindle
- > Unsprung, for use with heavy duty followers
- > To suit doors 35-54 mm thick
- > Grade 316 stainless steel
- > Order qty: 1 pair

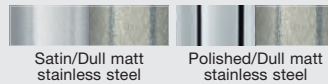


Finish	Cat. No.
Satin stainless steel	902.20.490
Polished stainless steel	902.20.491

SIERRA NEVADA Ø 19 mm lever handles, grade 316 stainless steel

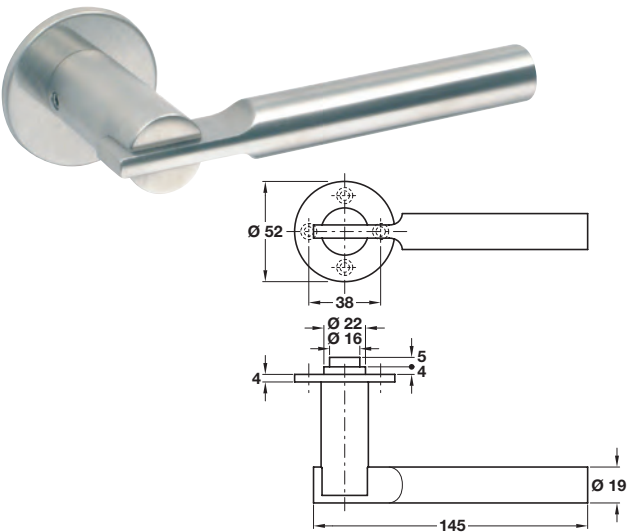


- > Pair of lever handles and roses
- > Grub screw fixing on 8 mm spindle
- > Unsprung, for use with heavy duty followers
- > To suit doors 35-54 mm thick
- > Grade 316 stainless steel
- > Duo finish - The stem of the lever handles are bead blasted to create a dull matt finish
- > Order qty: 1 pair



Finish	Cat. No.
Satin/dull matt stainless steel	902.21.022
Polished/dull matt stainless steel	902.21.023

ANNAPURNA Ø 19 mm lever handles, grade 316 stainless steel



- > Pair of lever handles and roses
- > Grub screw fixing on 8 mm spindle
- > Unsprung, for use with heavy duty followers
- > To suit doors 40-54 mm thick
- > Grade 316 stainless steel
- > Order qty: 1 pair



Finish	Cat. No.
Satin stainless steel	902.21.002
Polished stainless steel	902.21.003
PVD satin copper	902.21.000
PVD bright copper	902.21.001



- > Co-ordinating escutcheons and WC/emergency release also available see pages 10-11
- > Co-ordinating levers on back plates are shown on pages 136-139

TOH AH 2016, © Häfele U.K. Ltd 2016. Dimensional data not binding. We reserve the right to alter specifications without notice.