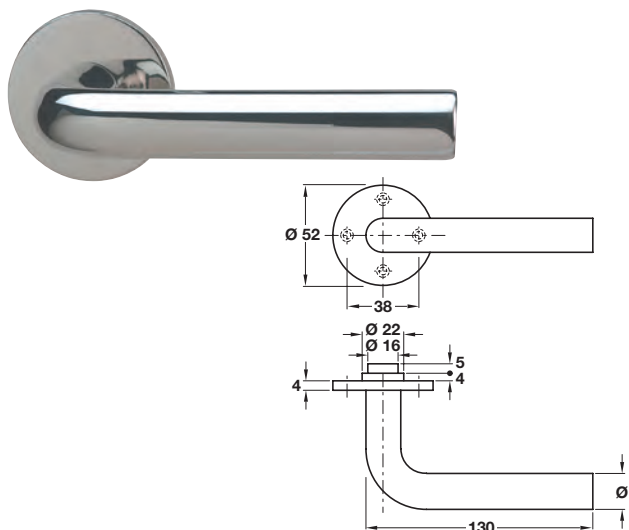


BEN NEVIS round section lever handles, grade 316 stainless steel

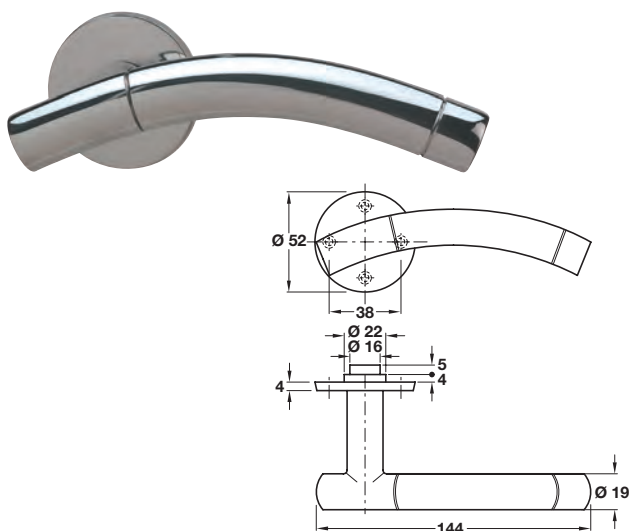


- > Pair of lever handles and roses
- > Grub screw fixing on 8 mm spindle
- > Unsprung, for use with heavy duty followers
- > To suit doors 35-54 mm thick
- > Grade 316 stainless steel
- > Order qty: 1 pair



Finish	Ø 16 mm	Ø 19 mm
Satin stainless steel	902.20.670	902.20.680
Polished stainless steel	902.20.671	902.20.681

RUSHMORE Ø 19 mm section lever handles, grade 316 stainless steel

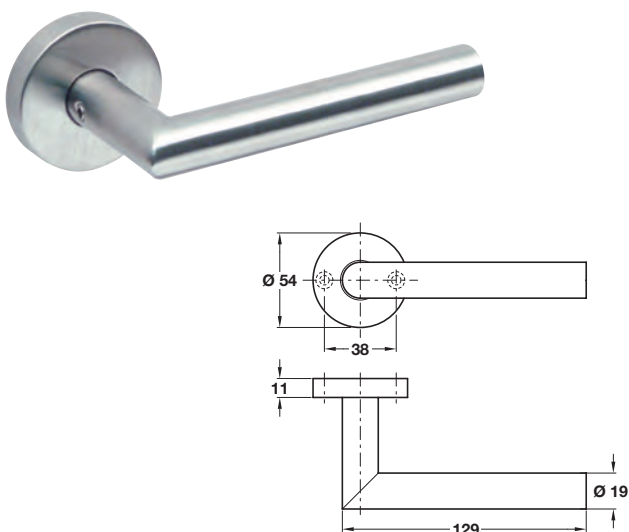


- > Pair of lever handles and roses
- > Grub screw fixing on 8 mm spindle
- > Unsprung, for use with heavy duty followers
- > To suit doors 35-54 mm thick
- > Grade 316 stainless steel
- > Order qty: 1 pair



Finish	Cat. No.
Satin stainless steel	902.20.500
Polished stainless steel	902.20.501

Ø 19 mm straight lever handles, grade 316 stainless steel



- > Pair of lever handles and roses
- > Grub screw fixing on 8 mm spindle
- > Sprung, for use with heavy duty followers
- > To suit doors 40-54 mm thick
- > Grade 316 stainless steel
- > Order qty: 1 pair



Finish	Cat. No.
Satin stainless steel	902.21.010



- > Co-ordinating escutcheons and WC/emergency release also available see pages **10-11**
- > Co-ordinating levers on back plates are shown on pages **140-143**