

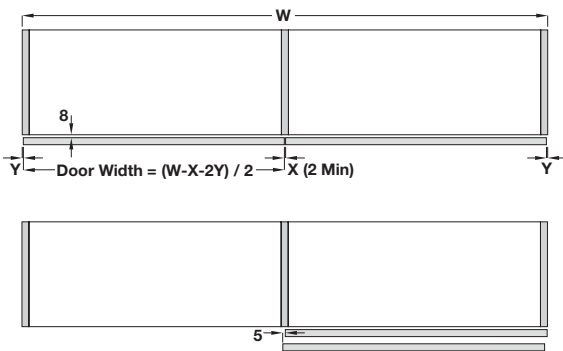
PS40 FLUSH SLIDING DOOR SYSTEM

Flexible sliding door system for a pair of large flush wardrobe doors, each panel slides in front of the other, with soft closing in both directions. Guide rails, made of anodised aluminium, with self activating anti-derailment and can be cut to size.

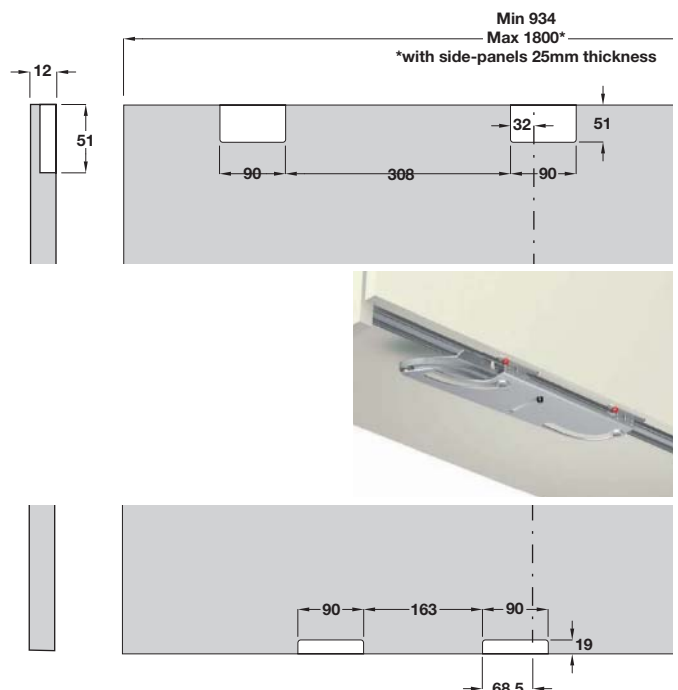
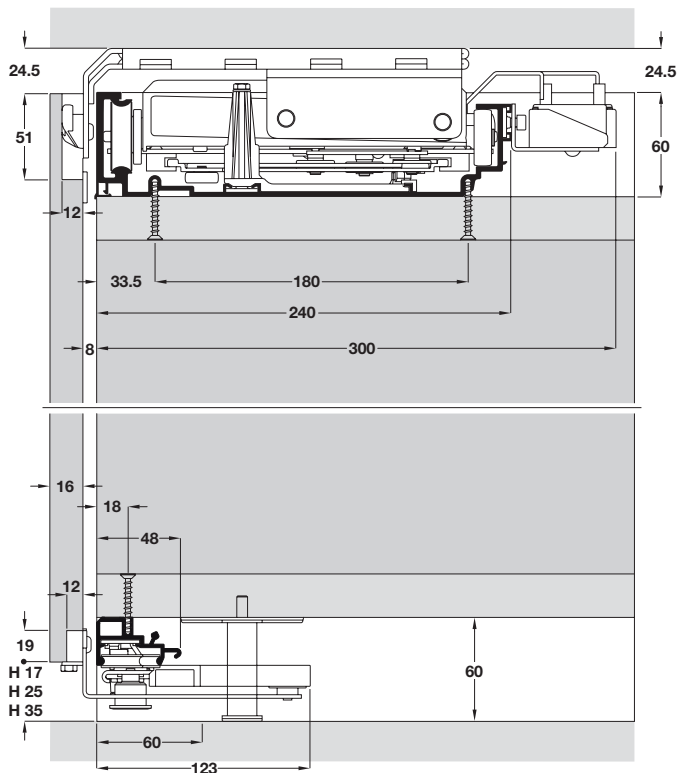
- > PS40
- > Range:
 - Max. panel weight **60 kg**
 - Door thickness **16-55 mm**
 - Door width **890-1800 mm (600 mm when using one door only)**
- > With -4/+6 mm height adjustment
- > Also available for a 3 door application.
 - Door width **1320-1800 mm**
- Please contact us for further information



Sliding Door Fittings for Furniture: Flush Sliding Cabinet Door



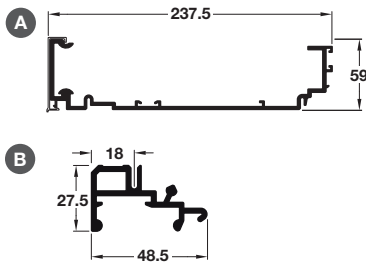
We recommend using Planofit door straighteners on this system, four sets per door; for information see pages **170-171**



10

TOH AH 2016, © Häfele U.K. Ltd 2016. Dimensional data not binding. We reserve the right to alter specifications without notice.

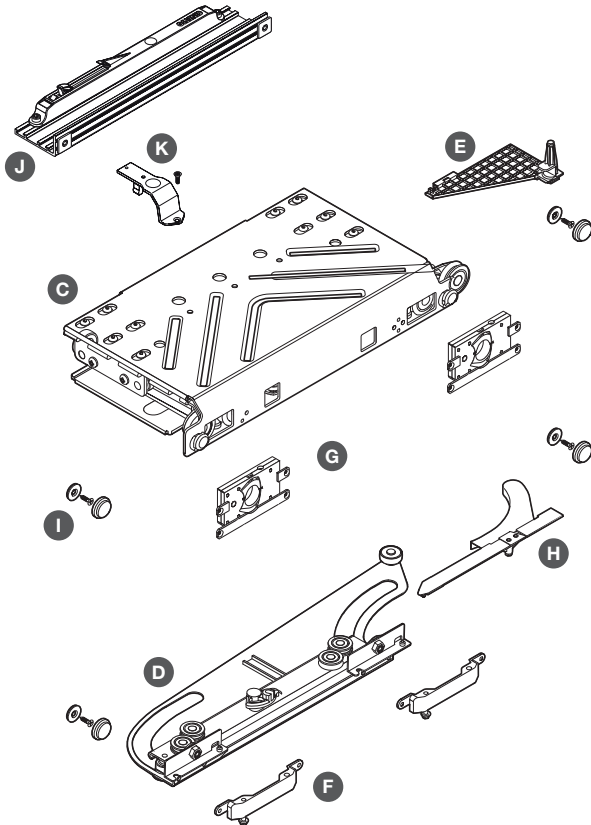
PS40 top and bottom guide rails



- > Order top and bottom guide rails separately
- > For screw fixing
- > Length 3050 mm
- > Satin silver anodised aluminium
- > Order qty: 1 pc

Length	3050 mm
A Top guide rail	400.50.763
B Bottom guide rail	400.50.965

PS40 fitting set for 1 door

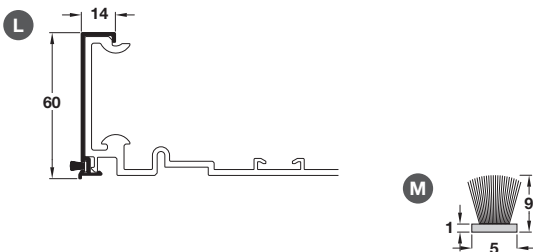


- > Order 1 left and 1 right hand door set
- > Fitting set, handed, for 1 door include:
 - C Top guide, handed, 1 pc
 - D Bottom guide, handed, 1 pc
 - E Top device for door hooking/adjustment, zinc alloy, 1 pc
 - F Bottom device for fixing bottom guide to door, zinc alloy, 2 pcs
 - G Top lock, handed, plastic, 1 pc
 - H Bottom lock, handed, zinc alloy, 1 pc
 - I Door corners spacers set, 1 set
 - J Soft closing device, handed, 1 pc
 - K Activator for soft closing device, handed, metal, 1 pc
- Fixings and assembly instructions are included
- > Order qty: 1 set



Fitting set	for left hand door	for right hand door
Cat. No.	400.50.008	400.50.001

PS40 cover profile for top guide rail



- > Slides onto PS40 top guide rail
- > With groove for insertion of dust brush
- > Order dust brush M Cat. No. 400.50.500 separately, if required
- > Satin silver anodised aluminium
- > Order qty: 1 pc

Length	3050 mm
L Cover profile	400.50.764
M Dust brush profile	400.50.500

PS40 complete fitting set with tracks



Complete system for 2 flush sliding doors



- > Complete set includes top and bottom guide rails, 3050 mm length, fitting sets for left and right hand doors, cover and dust brush profiles
- > Order qty: 1 set



For 16-55 mm door thickness	Cat. No.
PS40 set for 2 doors	400.50.016

PAGE AMENDED
20.10.16/2