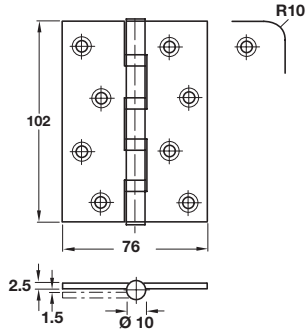


**Phoenix Slimline, stainless steel butt hinge, 102 x 76 mm**



- > Staggered hole pattern
- > Maximum adjusted door weight 120 kg
- > Minimum door thickness 35 mm
- > Square or radius corners
- > Five knuckle hinge with hardened steel thrust washers
- > Approved CF 351 certifiere
- > Grade 304 stainless steel
- > Order qty: 1 pc

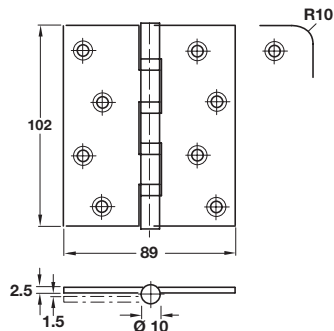
BS EN 1935

4 7 6 1 1 4 0 13



Finish	Square corners	Radius corners
Satin stainless steel	921.08.140	926.91.340
Polished stainless steel	926.91.041	926.91.341
Brass plated, electrophoretic	921.08.159	926.91.348

**Phoenix Slimline, stainless steel butt hinge, 102 x 89 mm**



- > Staggered hole pattern
- > Maximum adjusted door weight 120 kg
- > Square or radius corners
- > Five knuckle hinge with hardened steel thrust washers
- > Approved CF 351 certifiere
- > Grade 304 stainless steel
- > Order qty: 1 pc

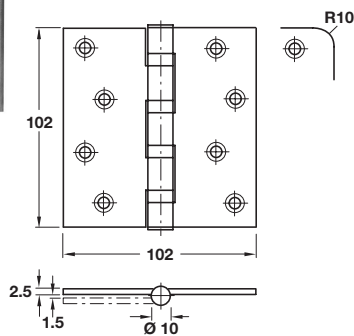
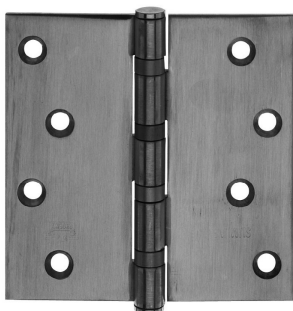
BS EN 1935

4 7 6 1 1 4 0 13



Finish	Square corners	Radius corners
Satin stainless steel	926.91.350	926.91.360
Polished stainless steel	926.91.351	926.91.361
Brass plated, electrophoretic	926.91.358	926.91.368

**Phoenix Slimline, stainless steel butt hinge, 102x 102 mm**



- > Staggered hole pattern
- > Maximum adjusted door weight 120 kg
- > Minimum door thickness 44 mm
- > Square or radius corners
- > Five knuckle hinge with hardened steel thrust washers
- > Approved CF 351 certifiere
- > Grade 304 stainless steel
- > Order qty: 1 pc

BS EN 1935

4 7 6 1 1 4 0 13



Finish	Square corners	Radius corners
Satin stainless steel	921.08.168	926.91.370
Polished stainless steel	926.91.051	926.91.371
Brass plated, electrophoretic	926.91.018	926.91.378



Copper finishes are also available to order on request - please contact us for further information