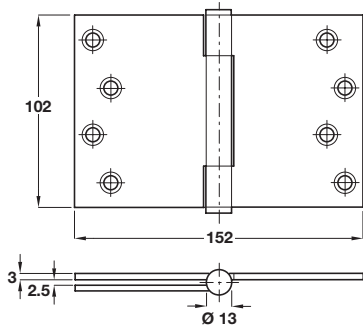
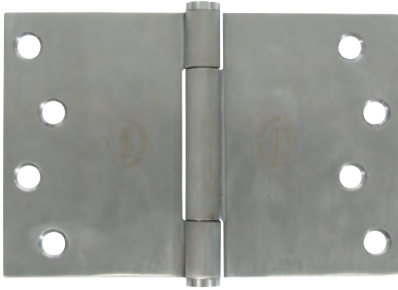


**Stainless steel, 3 knuckle, traditional bearing, projection hinge, 102 x 152 mm**

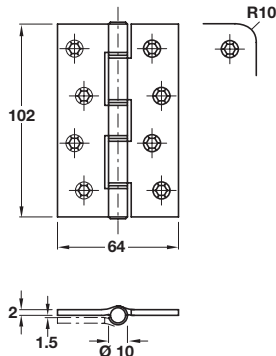


- > Staggered hole pattern
- > Maximum adjusted door weight 100 kg (in-house tested) using 3 hinges
- > Minimum door thickness 44 mm
- > Maximum clearance 80 mm
- > Square corners
- > Maintenance free
- > Grade 304 stainless steel
- > Order qty: 1 pc



Finish	Satin	Polished
Square corners	926.91.640	926.91.641

**Washed, stainless steel butt hinge, 102 x 64 mm**



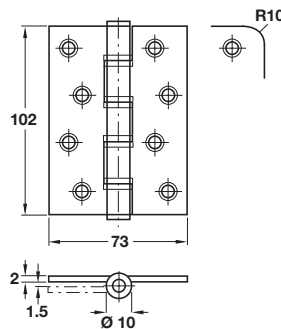
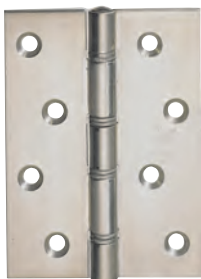
- > Staggered hole pattern
- > Maximum adjusted door weight 60 kg
- > Minimum door thickness 32 mm
- > Square and radius corners
- > Grade 304 stainless steel
- > Order qty: 1 pc

**BS EN 1935**  
2 7 3 1 1 2 0 10



Finish	Satin	Polished
Square corners	926.91.100	926.91.101
Radius corners	926.91.110	926.91.111

**Washed, stainless steel butt hinge, 102 x 73 mm**



- > Staggered hole pattern
- > Maximum adjusted door weight 60 kg
- > Minimum door thickness 35 mm
- > Square and radius corners
- > Grade 304 stainless steel
- > Order qty: 1 pc

**BS EN 1935**  
2 7 3 1 1 2 0 10



Finish	Satin	Polished
Square corners	921.08.122	926.91.651
Radius corners	926.91.660	926.91.661