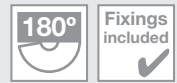
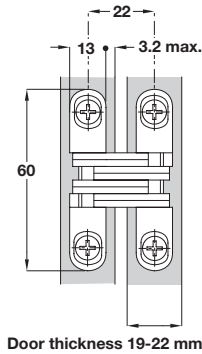
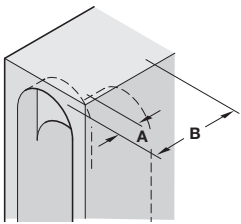


Soss hinge 204A



- > Allows 3 mm vertical and 2 mm depth adjustment
- > To suit door thickness 19-22 mm
- > Order qty: 1 pc

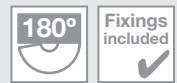
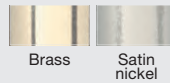
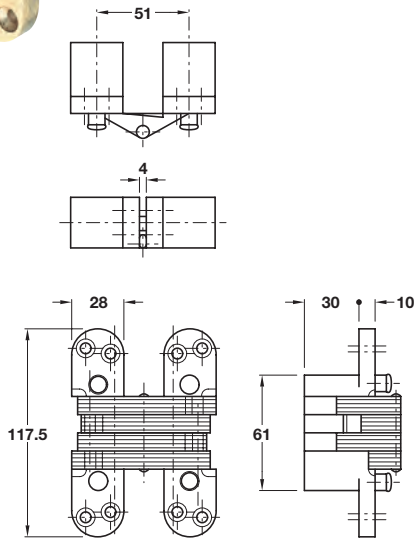


Body finish	A/B	Cat.No.
Brass-plated	6.4/18.5 mm	341.07.500

Soss 'Crimestall' hinge 218



- > Application:
Version of Soss 218 hinge incorporating dog bolts with hardened steel rollers, for use on external open outward or other doors where security needs to be enhanced to prevent sawing through the hinge
- > To suit door thickness 41-45 mm
- > 3 or 4 hinges required depending on height, width and weight of door
- > Maximum door width 900 mm
- > Zinc alloy body with plated steel links and hardened steel rollers
- > Order qty: 1 pc



Body/Links	Cat. No.
Brass/Brass	927.50.105
Satin nickel/Satin nickel	927.50.107



- > Routing jigs are shown on page 96
- > Soss hinge selection guide is shown on page 95