

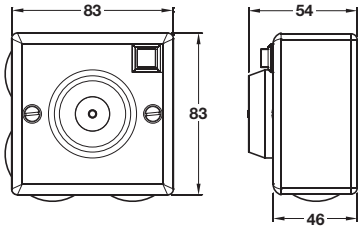
# ELECTRO-MAGNETIC DOOR RETAINERS

Door retainers with integrated release button.

4

Door Closers and Controls: Door Closers

## Surface mounted electro-magnetic door retainer

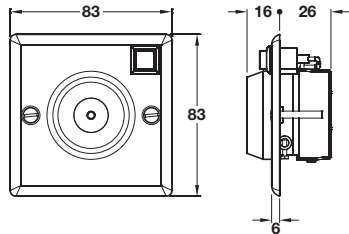


- > 24V dc
- > Integrated release button
- > Powerful ejector pin
- > Holding strength 200 N
- > Metal enclosure means no heat fatigue
- > 90° swivel keeper plate, 54 mm projection
- > Strengthened aluminium back
- > Order qty: 1 pc



Finish	Cat. No.
White	912.05.084

## Flush mounted electro-magnetic door retainer

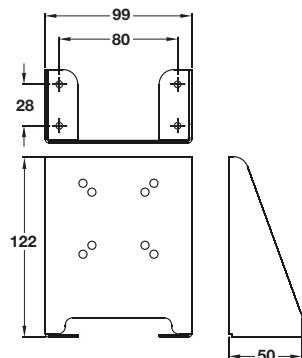


- > 24V dc
- > Integrated release button
- > Powerful ejector pin
- > Holding strength 200N
- > Suits standard 35 mm backbox
- > 90° swivel keeper plate, 52 mm projection
- > Strengthened aluminium back
- > Order qty: 1 pc



Finish	Cat. No.
White	912.05.085

## Floor mounting bracket



- > To suit items electro-magnetic door retainers shown above
- > Strengthened aluminium
- > Order qty: 1 pc

Finish	Cat. No.
White	912.05.087

TCH AH 2016, © Hafele U.K. Ltd 2016. Dimensional data not binding. We reserve the right to alter specifications without notice.