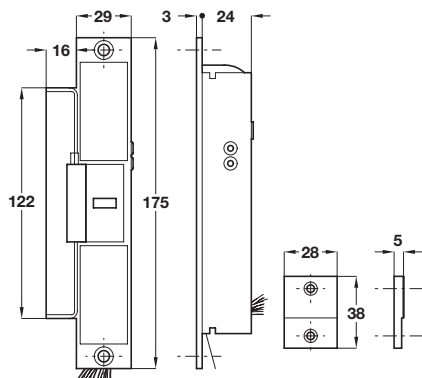


Monitored electric strike



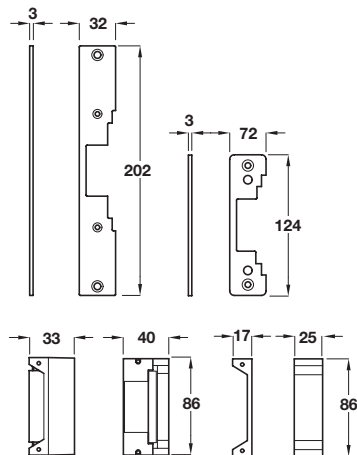
- > Medium/Heavy duty
- > Latch and door monitoring
- > Fail safe/fail secure selectable
- > Sounder can be set for either buzzing or silence
- > 12V DC
- > Current consumption 175 mA @ 12V
- > Order qty: 1 pc



Monitored electric strike Cat. No. 911.68.317

5

Electric release, reversible



- > Suitable for aluminium and timber doors
- > Supplied with:
 - 1x short face plate
 - 1x long face plate
 - 1x 25 mm extension lip
- > 12V DC
- > Stainless steel faceplates
- > Order qty: 1 set



| Type | Open | Closed |
|---------------|------------|------------|
| Standard fail | 911.68.323 | 911.68.324 |

TCH AH 2016. © Häfele U.K. Ltd 2016. Dimensional data not binding. We reserve the right to alter specifications without notice.

Door Locking and Security: Access Control