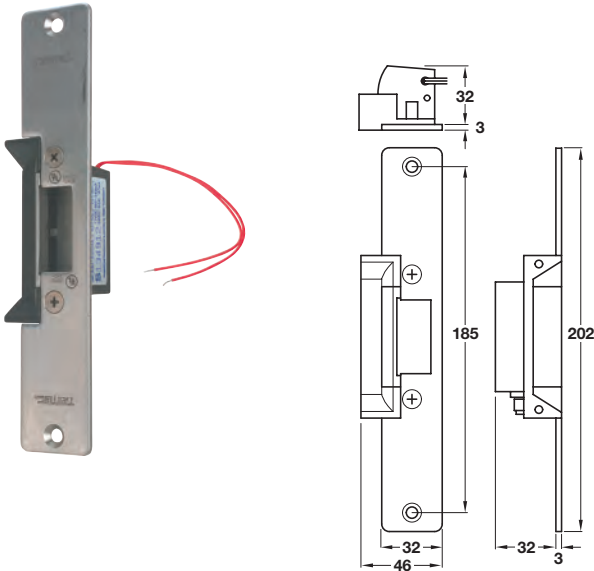


**Electric release, long faceplate**

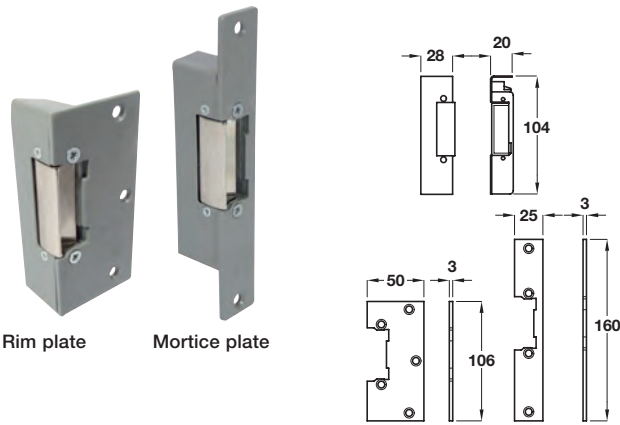


- > Burglary resistant
- > Suitable for timber applications
- > Incorporates 3 case hardened pins
- > Accepts 18 mm deep latch bolt (based on 3 mm door gap)
- > Current consumption: 243 mA @ 12V DC
- > Solenoid can be continuously powered
- > Factory tested to 1362 kg. Tested to 1 million cycles
- > UL 1034 (highest level)
- > Easy change function - power to lock/power to open (fail safe/fail secure)
- > Operational temperature range -20° to 60° C
- > Weather resistant - IP 56 rated
- > Cast aluminium body, stainless steel strike and face plate
- > Order qty: 1 set



Cat. No.  
Electric strike 911.68.191

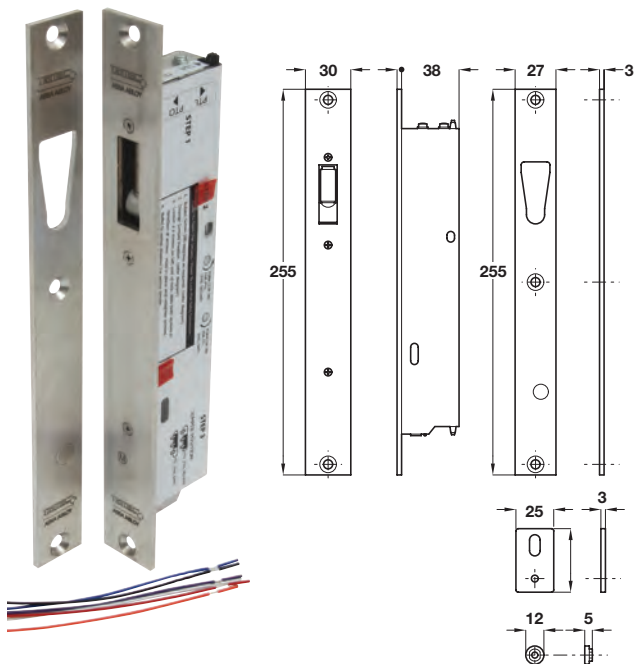
**Electric release, rim mortice pattern**



- > 2 Face plates included - 1 rim, 1 mortice
- > Fail secure
- > 12V DC
- > Current consumption - 400 mA
- > Pressure - 300 kg
- > Zinc-plated main mechanism, chrome-plated zinc alloy latch, epoxy painted steel face plate, stainless steel side cover
- > Order qty: 1 set

Cat. No.  
Electric release 911.68.327

**Electric V Lock**



- > Monitored for locked/unlocked and door position
- > Side load - Pre-load capable lock will unlock with up to 15 kg of side pressure
- > Door misalignment of up to ±3.5 mm
- > Power to lock/power to unlock field configurable
- > High torque motorised locking and unlocking
- > High speed operation, unlocks in less than 1 second
- > Multiple orientation
- > Any voltage from: 12V +15% -0%-24V ±15% DC
- > Current consumption: 1 Amp
- > Order qty: 1 pc



Cat. No.  
V Lock 912.01.053