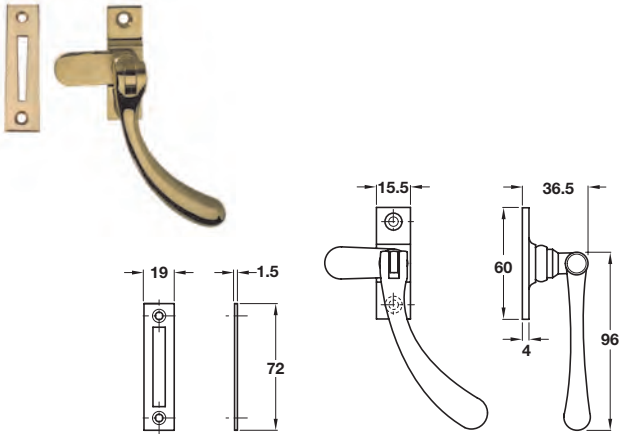
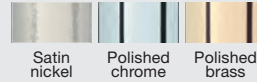


Casement fastener, mortice plate



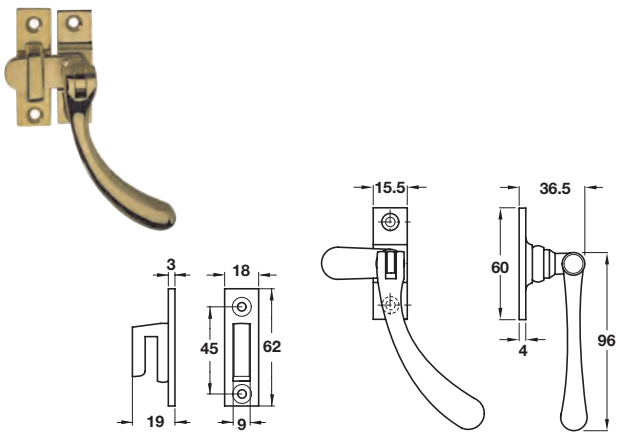
- > Reversible
- > Mortice plate included
- > Designed for use with standard rebated frames
- > Matching casement stays are shown below
- > Brass
- > Order qty: 1 pc



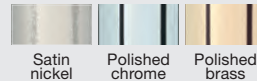
Fixings included

Finish	Cat. No.
Satin nickel	970.02.416
Polished chrome	970.02.412
Polished brass	970.02.418

Casement fastener, hook plate



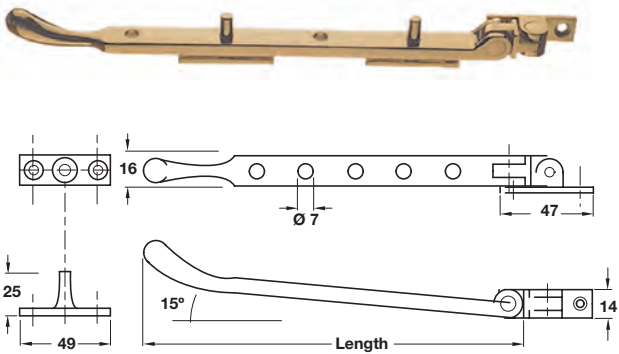
- > Reversible
- > Hook plate included
- > Designed for use with flush frames or double windows
- > Matching casement stays are shown below
- > Brass
- > Order qty: 1 pc



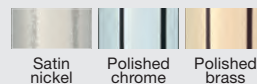
Fixings included

Finish	Cat. No.
Satin nickel	970.02.406
Polished chrome	970.02.402
Polished brass	900.17.954

Casement stay



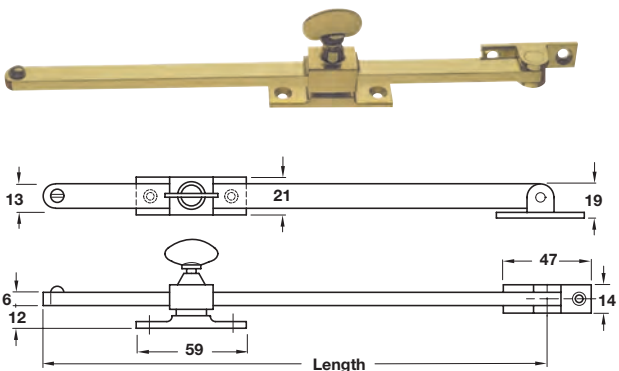
- > Two standard pins included
- > Matching fasteners are shown above
- > Brass
- > Order qty: 1 pc



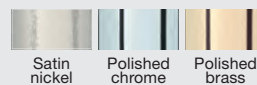
Fixings included

Length	254 mm	305 mm
Satin nickel	970.02.516	970.02.526
Polished chrome	970.02.512	970.02.522
Polished brass	900.17.962	900.17.963

Sliding casement stay



- > Suitable for open out windows only
- > Flat turn key included
- > Brass
- > Order qty: 1 pc



Fixings included

Length	254 mm	305 mm
Satin nickel	970.02.536	970.02.546
Polished chrome	970.02.532	970.02.542
Polished brass	900.17.960	900.17.961