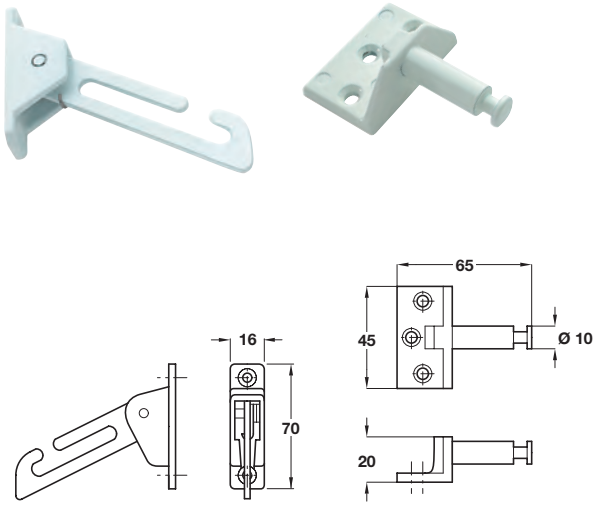


Face fix restrictor

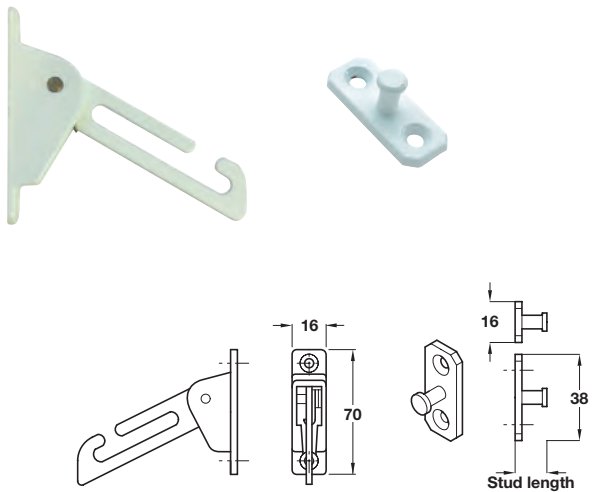


- > Suitable for pivot windows
- > To suit timber, aluminium and PVCu
- > Restricts sash to 100 mm
- > Stainless steel and zinc alloy, white finish
- > Order qty: 1 pc

COMPLIES WITH  
**BS 6375**  
PART 2

Stud length	Cat. No.
27 mm	973.00.127

Face fix restrictor

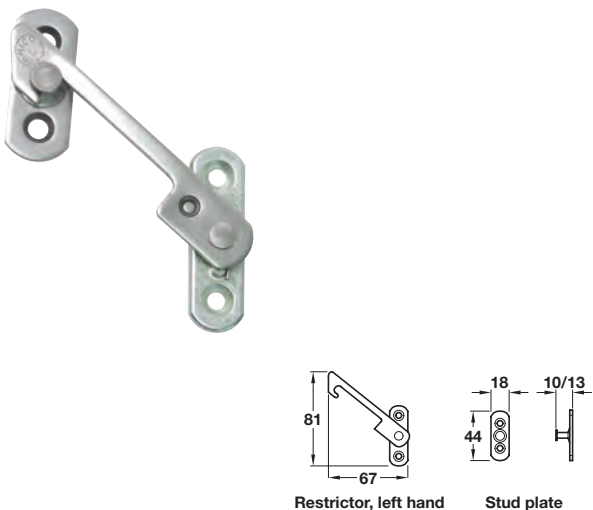


- > Suitable for casement windows
- > Suitable for side and top hung windows
- > To suit timber, aluminium and PVCu
- > Restricts sash to 100 mm
- > Stainless steel and zinc alloy, white finish
- > Order qty: 1 pc

COMPLIES WITH  
**BS 6375**  
PART 2

Stud length	Cat. No.
14.5 mm	973.00.167

Restrictor safety catch, face fixing



- > Handed
- > Restricts opening to 100 mm to comply with BS 8213 Part 1
- > Easy to fit, no routing
- > High visibility, minimal maintenance
- > Suitable for uPVC, timber and aluminium profiles
- > Matt stainless steel
- > Please note: Stud plate must be ordered separately
- > Order qty: 1 pc

**10**  
YEARS  
MANUFACTURER'S  
GUARANTEE

Hand	Left	Right
Restrictor	973.00.900	973.00.910
Size	10 mm	13 mm
Stud plate	973.00.920	973.00.930

TOH AH 2016, © Hafele U.K. Ltd 2016. Dimensional data not binding. We reserve the right to alter specifications without notice.