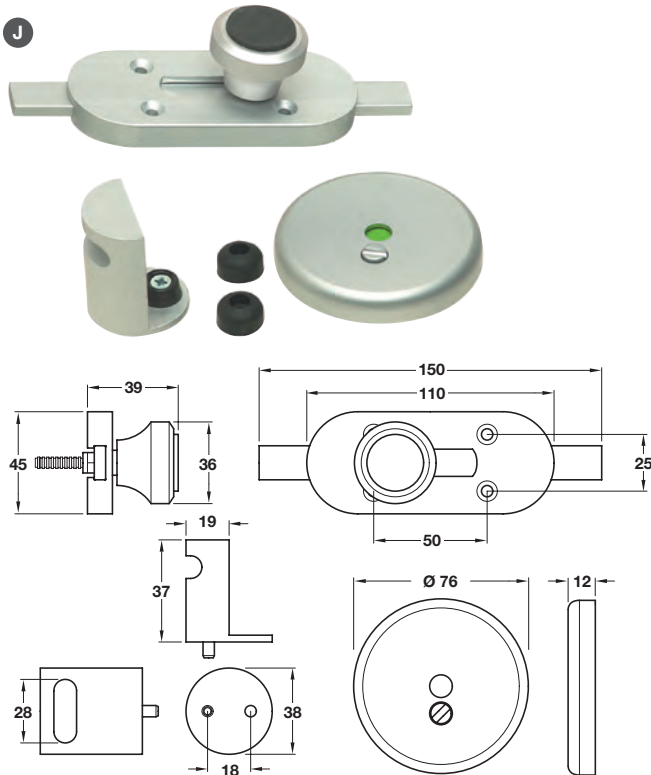
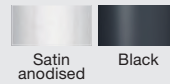


## Indicator bolt set

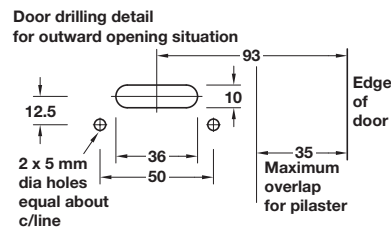
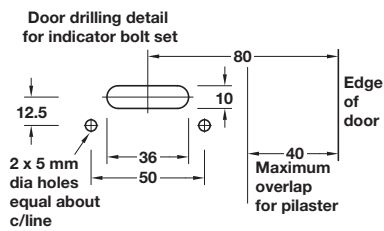


- > Robust construction incorporates external "coin release" in case of emergency
- > Includes all fixings for 17-21 mm board thickness including 2 rubber buffers
- > Positive knob handle to slide bolt
- > Aluminium
- > Order qty: 1 pc



Finish	Cat. No.
Satin anodised	980.07.950
Black polyester powder coated	980.07.350

## Door drilling detail

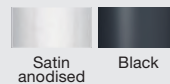


For outward opening situations order outward keep separately, shown below

## Keep, outward opening

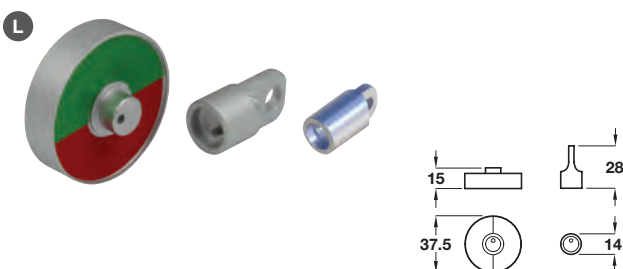


- > Optional extra where doors open out
- > Aluminium
- > Order qty: 1 pc



Finish	Cat. No.
Satin anodised	980.07.960
Black polyester powder coated	980.07.360

## No mischief key



- > Replaces exiting red/green indicator fitted to face plate of indicator bolt, item J
- > When access is required the key is fitted to the protruding spigot on the face plate and turned to release the lock
- > Satin anodised aluminium
- > Order qty: 1 pc

Item	Cat. No.
No mischief signal and key	980.07.000
Additional key	980.07.001