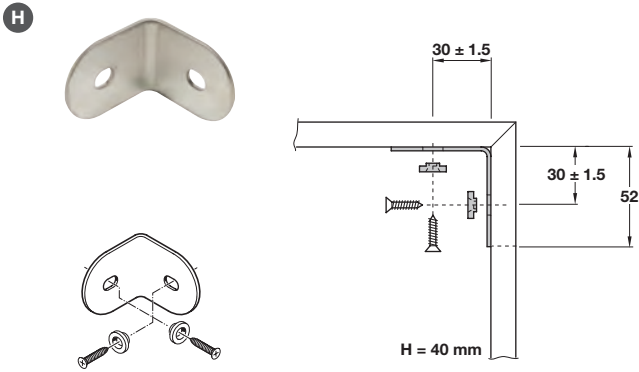


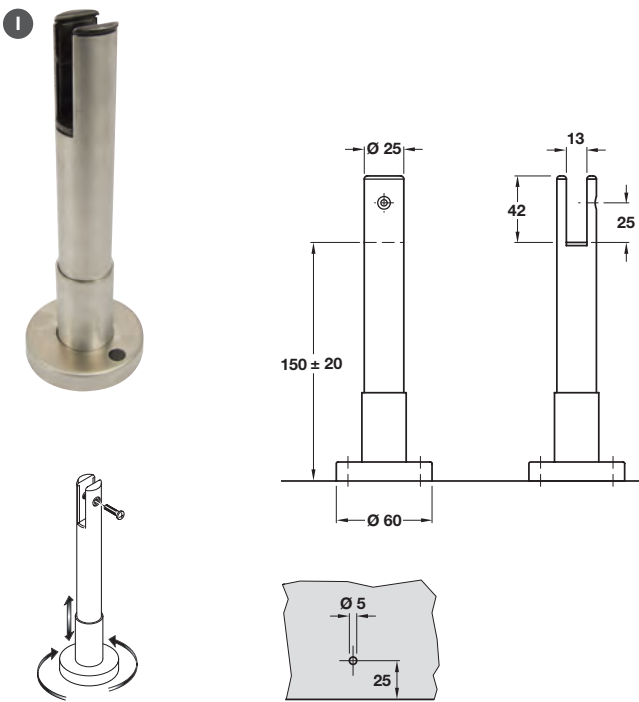
Angle bracket



- > Secures division to fascia at 90°
- > Board fixings included
- > Wall fixings not included
- > Grade 316L stainless steel
- > Order qty: 1 pc

Finish	Cat. No.
Satin stainless steel	980.34.320

Adjustable foot support

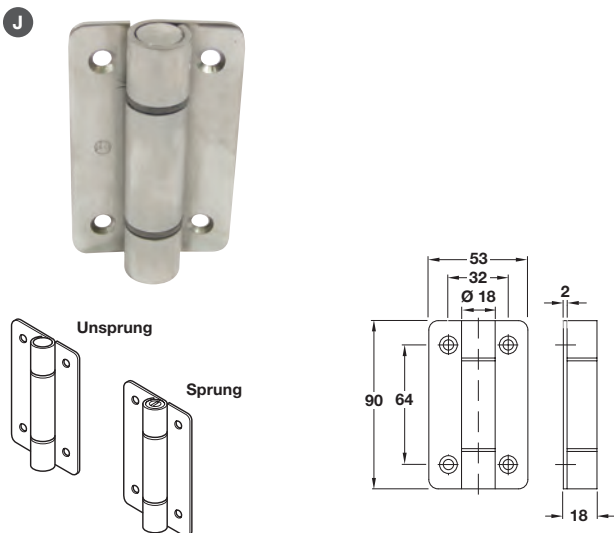


- > Support for division and fascia panels
- > Height adjustable between 130 mm and 170 mm
- > Grade 316L stainless steel
- > Order qty: 1 pc



Finish	Cat. No.
Satin stainless steel	980.34.300

Hinge



- > Plain bearing or spring assisted closing
- > For sprung version; adjustable closing speed to user requirements
- > Grade 316L stainless steel
- > Order qty: 1 pc



Finish	Unsprung	Sprung
Satin stainless steel	980.34.340	980.34.350