

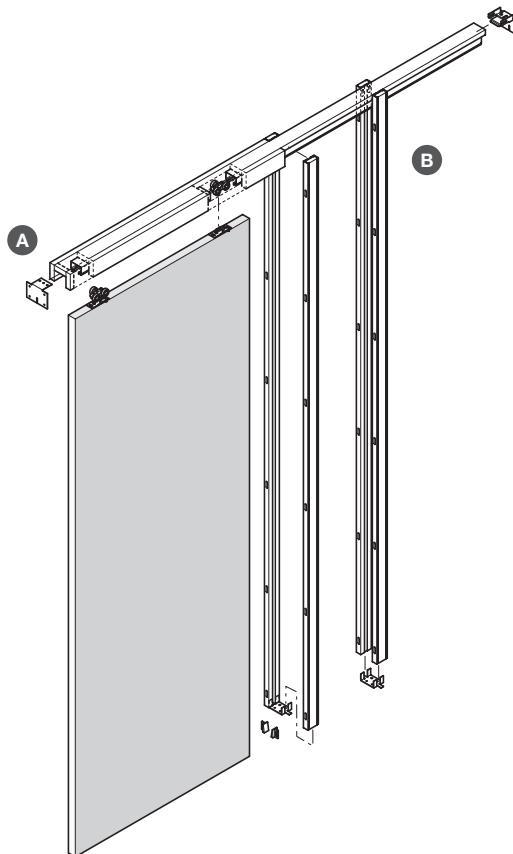
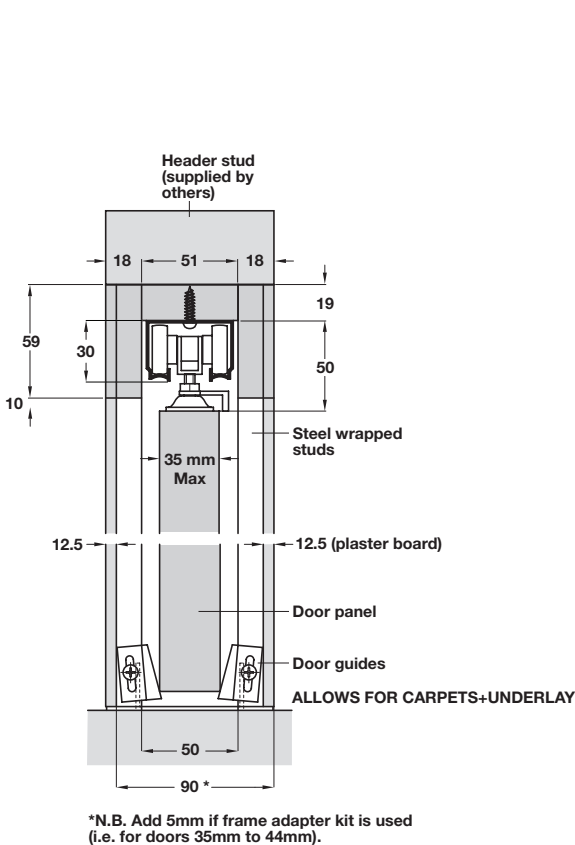
# POCKET HIDEAWAY SLIDING DOOR SYSTEM

An internal straight sliding pocket door system primarily for domestic housing applications. A very flexible system which can be cut down making it ideal for dining rooms, ensuite bathrooms, cloakrooms and doors into kitchens.

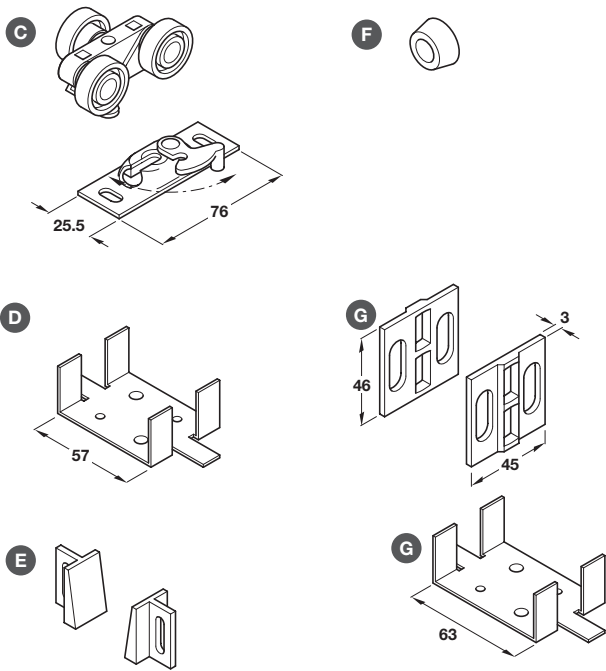
- > Pocket Hideaway
- > Application:
 

With Building Regulations Part M approval and due to it's light weight construction, this system is ideal for retirement homes and assisted living premises, making the building more independently accessible to all

Providing an efficient, economical way of allowing increased space and easier access, the "pocket door" concept enables sliding doors to become a significant design feature of a home
- > Range:
  - Max. door weight **56 kg**
  - Max. door height **2032 mm**
  - Max. door width **1067 mm**
  - Door thickness **28-50\* mm**
  - \*For 44-50 mm door thickness use cavity widening set shown on page **101**
- > Pocket Hideaway complete set comprises header assembly with pre-fitted track and fittings
- > For bi-parting doors use 2 sets and 1 Hideaway jointing fitting set shown on page **101**
- > Sets are supplied complete with fixing materials and installation instructions



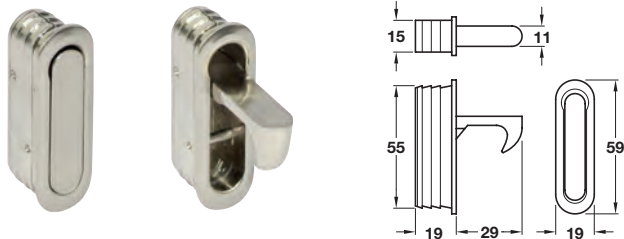
## Pocket Hideaway door system



- > Pocket hideaway door system consists of:
- A Header assembly, with pre-fitted track
- B Steel wrapped timber studs, provides stability set
- C Hangers, with 3 wheels, steel mounting plate, nylon rollers
- D Floor plates, steel
- E Bottom guides, nylon
- F Door stop, rubber
- G Frame adaptor fitting set, 35-44 mm door thickness

	760 mm	915 mm
Max door width	760 mm	915 mm
A Header assembly	1 pc	1 pc
B Steel wrapped studs	1 set	1 set
C Hangers	2 pcs	2 pcs
D Floor plates	2 pcs	2 pcs
E Bottom guides	2 pcs	2 pcs
F Door stop	1 pc	1 pc
G Frame adaptor fitting set	1 set	1 set
Cat. No.	940.58.005	940.58.006

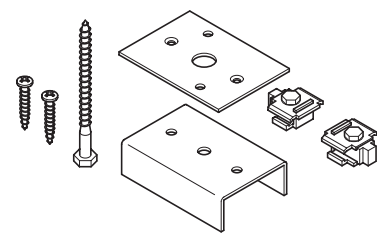
## Pocket door flip up handle



- > For use with cavity sliding doors
- > Brass
- > Order qty: 1 pc

Finish	Cat. No.
Satin nickel	911.26.078
Satin brass	911.26.079

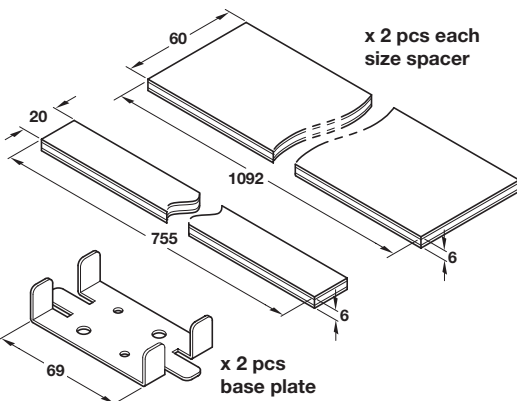
## Pocket Hideaway jointing fitting set



- > For use with 2 pocket Hideaway door sets
- > Order qty: 1 set

	Cat. No.
Jointing fitting set	940.58.020

## Pocket Hideaway cavity widening set



- > For use when door thickness is between 44-50 mm
- > Order qty: 1 set

	Cat. No.
Cavity widening set	940.58.030