

1

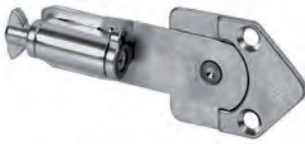
ATLAS SYSTEM

For large suspended low furniture.

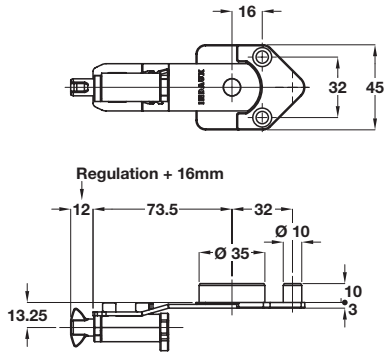
- > The perfect solution for heavy loads in suspended kitchens and bathroom cupboards
- > Maximum safety in the vertical loads, anti-tilt, easy machining and regulation
- > Hidden wall fixing system which adjusts perfectly to the module
- > Easy industrial installation can be pre-assembled to ease transport
- > In combination with the lower support fitting, it can be adjusted in depth, vertically and horizontally
- > Does not interfere with the smooth running of the top doors
- > Tests successfully completed with a load of 369 kg



Atlas back support fitting



- > Steel/zinc alloy
- > Fixing bolts not included, order separately (subject to structure materials)
- > Order qty: 1 pc

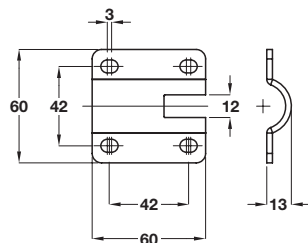


Finish	Cat. No.
Zinc-plated	290.24.910

Atlas wall plate



- > Steel/zinc alloy
- > Fixing bolts not included, order separately (subject to structure materials)
- > Order qty: 1 pc



Finish	Cat. No.
Zinc-plated	290.24.919