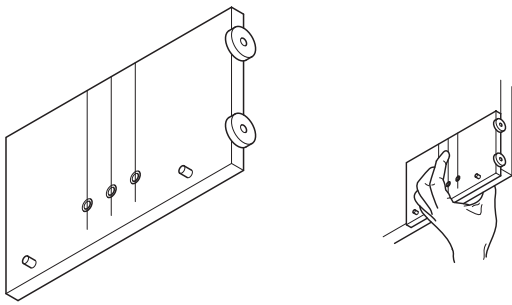
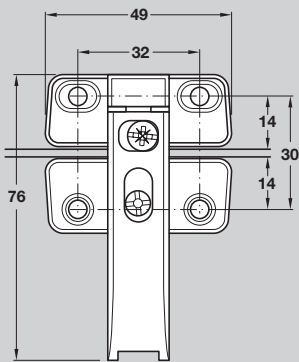


## Drilling jig for connecting hinges



- > For drilling screw holes for connecting hinges for flap fittings:
  - (E-) Senso
  - (E-) Senso+
  - Free fold
- > Acrylic glass with hardened steel inserts
- > Order qty: 1 pc

### Drilling pattern



Corresponding drilling pattern for hinges  
372.64.796/797 shown above

Drilling jig

Cat. No.  
372.61.798