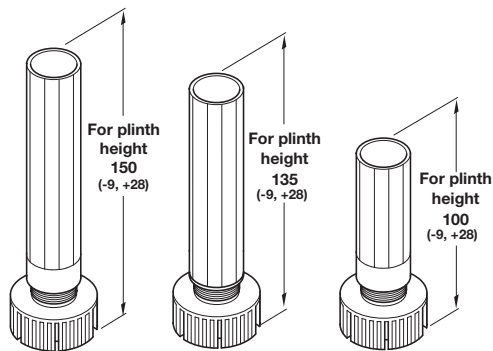


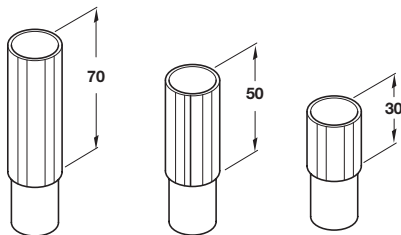
## Foot and shaft sections



- > For plinth heights 100 mm, 135 mm and 150 mm
- > With 40 mm adjustment
- > Black plastic
- > Order qty: 1 pc

For plinth height	Cat. No.
100 mm	637.65.311
135 mm	637.65.312
150 mm	637.65.313

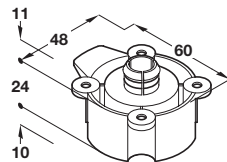
## Shaft extensions



- > Three extension heights available; 30 mm, 50 mm and 70 mm
- > For use with foot and shaft sections
- > Black plastic
- > Order qty: Multiples of 100 pcs

Height	Cat. No.
30 mm	637.65.341
50 mm	637.65.342
70 mm	637.65.343

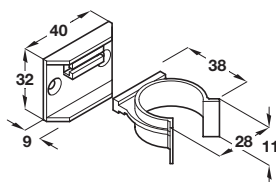
## Top section, dowel mounting



- > With  $\varnothing$  15 mm spreading dowel for fixing to underside of cabinet base
- > Black plastic
- > Order qty: 1 pc

	Cat. No.
Top section	637.65.350

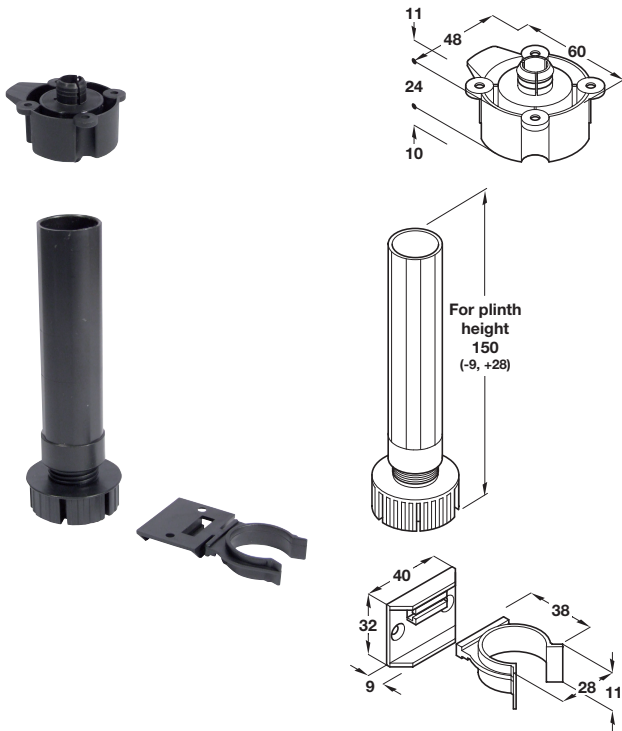
## Screw fixing clip and bracket



- > Black plastic
- > Order qty: 1 pc

	Cat. No.
Fixing clip and bracket	637.65.792

## Plinth feet set with top section and plinth clip



- > For plinth height 150 mm
- > Black plastic
- > Order screw and cover cap separately, as required
- > Order qty: 1 set

Item	No. of items included:
Top section	4 pcs
Foot and shaft	4 pcs
Plinth clip and bracket	2 pcs
Cat. No.	637.65.323

## Plinth feet set with plinth clip



- > For plinth height 150 mm
- > Black plastic
- > Order top section separately, as required
- > Order qty: 1 set

Item	No. of items included:
Foot and shaft	4 pcs
Plinth clip and bracket	2 pcs
Cat. No.	637.65.333