

## ZINC ALLOY

Lever handles on backplates for latches, lever locks and bathroom locks in an electro brass polished finish.

### MOCHO lever handles on plate, zinc alloy



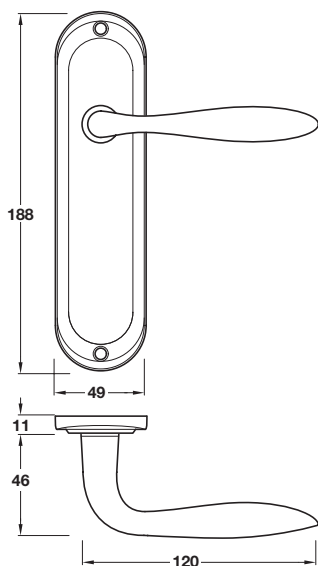
Backplates for latch



Backplates for lever lock



Backplates for bathroom lock



Note:  $\pm 3$  mm tolerance on dimensions

- > Pair of lever handles on backplates
- > Sprung, for use with standard duty followers
- > To suit doors 35-44 mm thick
- > 8 mm spindle included
- > 5 mm spindle also included with bathroom version
- > Zinc alloy
- > Order qty: 1 pair/1 set\*



Version	Polished electro brass
<b>Backplates for latch</b>	
Cat. No.	901.98.368
<b>Backplates for lever lock</b>	
Cat. No.	901.98.369
<b>Backplates for bathroom lock*</b>	
Cat. No.	901.98.370