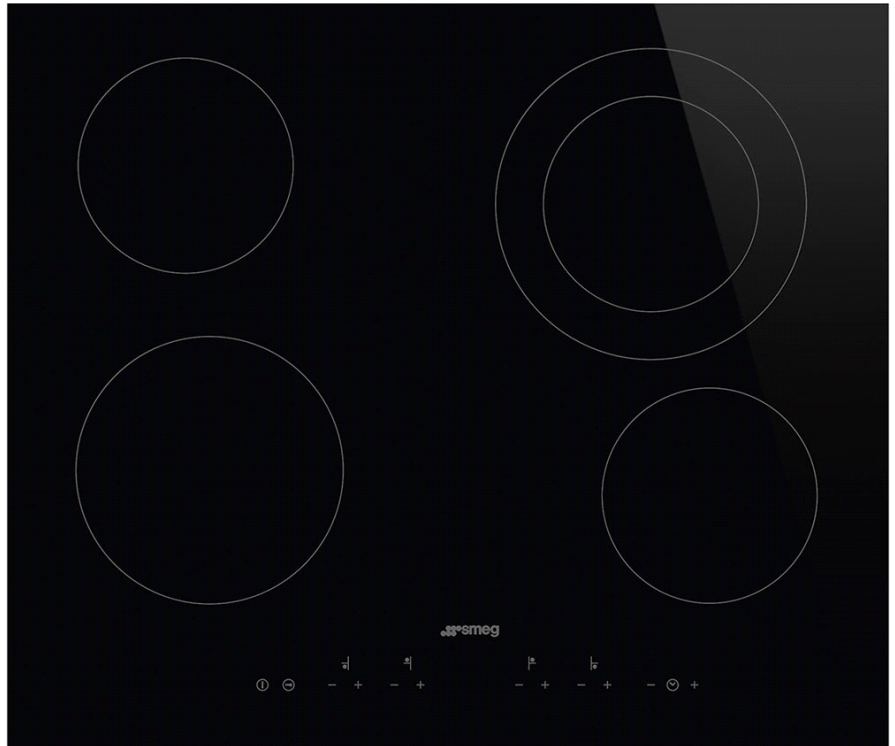


SE364ETD

New product

60cm Touch Control Ceramic Hob with Straight Edge Glass

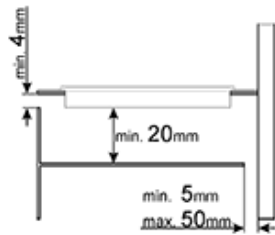
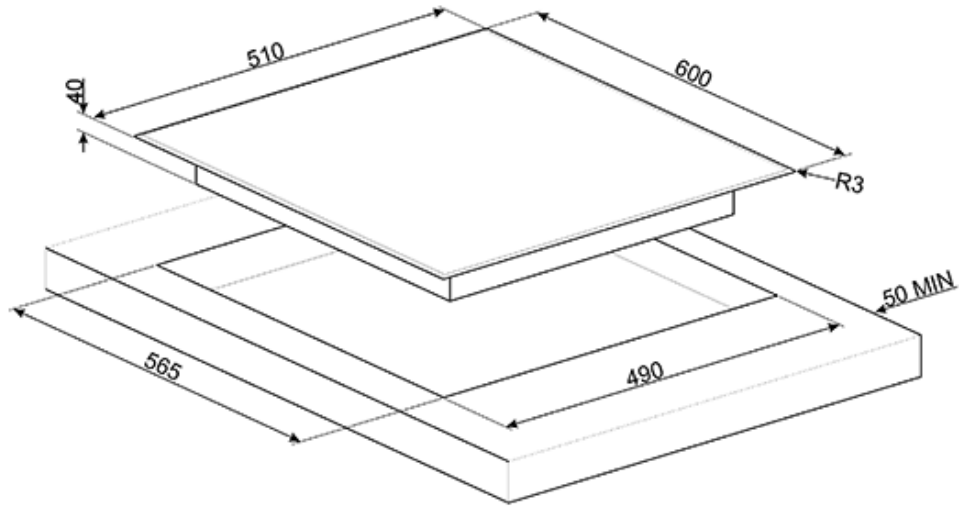
- 4 high-light radiant zones;
 - Rear left: Ø148mm, 1.20 kW
 - Front left zone: Ø184mm, 1.80 kW
 - Rear right dual zone: Ø148/214mm, 1.00/2.20kW
 - Front right: Ø148mm, 1.20 kW
 - Black ceramic glass
 - 9 power levels
 - End of cooking acoustic alarm
 - Quick start
 - Keep warm automatic function
 - Residual heat indicators
 - Ecologic – Energy saving option
 - Child safety lock
 - Automatic safety cut-out
 - Nominal power: 6.40 kW
- Supply can vary depending on usage, please consult a qualified electrician for ampere requirement





SE364ETD

ceramic hob
60 cm
black
touch control



Smeg (UK) Ltd
The Magna Building, Wyndyke Furlong, Abingdon
OX14 1DZ
Tel. +44 (0)844 557 9907
Fax +44 (0)844 557 9337