

UKC7280NEP1 New product

Integrated In Column Combined Fridge & Freezer,
Energy Efficiency Class: A+

EAN13: 8017709260064

- Gross capacity: 280 litres
- Sliding rail fitting
- Reversible door
- Noise level: 39 dB re 1 Pw

New interior with Silver Trims

Refrigerator:

- Fresh food capacity: 200 litres
- 4 adjustable glass shelves
- 2 fruit & vegetable drawers
- 1 fruit & vegetable cover
- LED light

Freezer:

- Completely No Frost
- Frozen food capacity: 63 litres
- 3 drawers
- 1 ice box
- Energy efficiency class: A+
- Energy consumption: 297 kWh per year
- Climatic class: SN-T
- Freezing capacity: 4kg/24h
- Thaw time: 20h

Rear panel material : Flame Retardant Aluminium Foil back

NB: This model supersedes the C7280NEP

Key to symbols



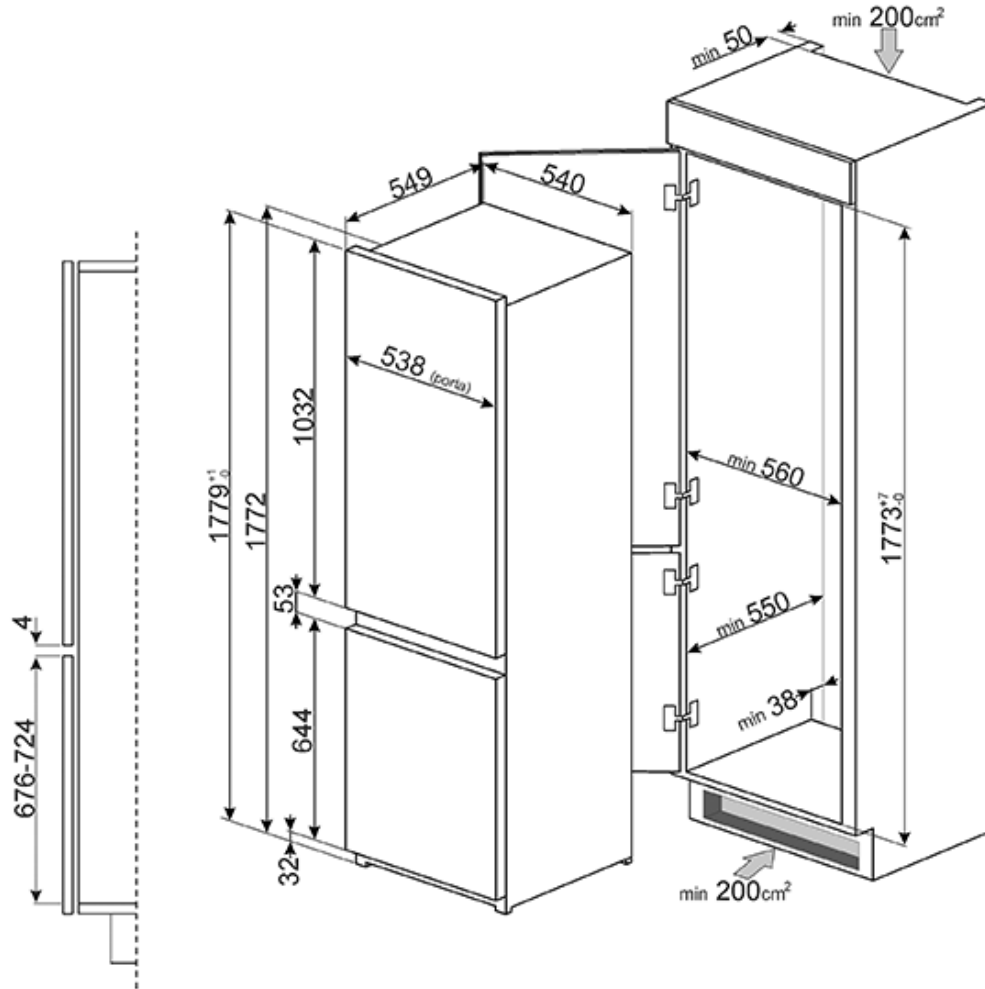


Smeg products with A+ or A++ energy rating are highlighted with one of the following Symbols



UKC7280NEP1

fridge freezer
built-in
built-in
54 cm
energy rating A+



Smeg (UK) Ltd
The Magna Building, Wyndyke Furlong, Abingdon
OX14 1DZ
Tel. +44 (0)844 557 9907
Fax +44 (0)844 557 9337